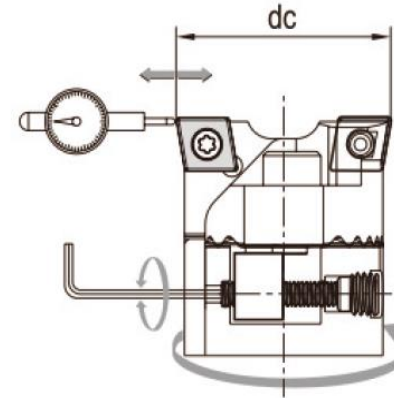
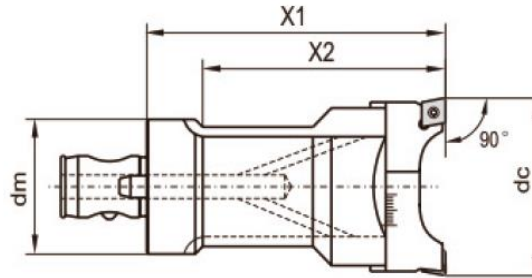


ADJUSTABLE DOUBLE-EDGE BORING CUTTERS WITH ABS SHANK

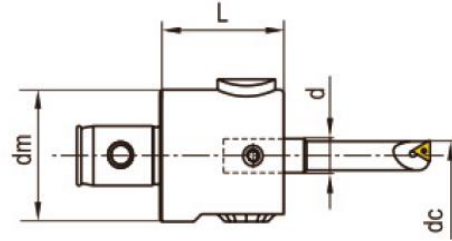


Item	Model	Shank	Capacity dc(mm)	Size (mm)			Insert	Screw	Torx wrench	Unit Price
				dm	X1	X2				
275-64-001	ABS25-TS9025-45	ABS25	25-32	25	45	35	CCMT060204	C025A07S	T7	US\$90.78
275-64-002	ABS32-TS9025-70	ABS32		32	70	58				US\$90.78
275-64-003	ABS25-TS9030-50	ABS25	30-38	25	50	-	CCMT060204	C025A07S	T7	US\$90.78
275-64-004	ABS32-TS9030-85	ABS32		32	85	73				US\$90.78
275-64-005	ABS32-TS9037-60	ABS32	37-47	32	60	-	CCMT060204	C025A07S	T7	US\$90.78
275-64-006	ABS40-TS9046-60	ABS40	46-56	40	60	-	CCMT09T308	C035A08S	T15	US\$95.90
275-64-007	ABS50-TS9046-120	ABS50		50	120	104				US\$116.01
275-64-008	ABS40-TS9055-60	ABS40	55-70	40	60	-	CCMT09T308	C035A08S	T15	US\$105.95
275-64-009	ABS50-TS9055-135	ABS50		50	135	-				US\$118.99
275-64-010	ABS50-TS9069-70	ABS50	69-84	50	70	-	CCMT120408	C050A12S	T20	US\$126.16
275-64-011	ABS63-TS9083-80	ABS63	83-101	63	80	-	CCMT120408	C050A12S	T20	US\$165.35
275-64-012	ABS63-TS9099-80	ABS63	99-125	63	80	-	CCMT120408	C050A12S	T20	US\$165.35
275-64-013	ABS80-TS90123-90	ABS80	123-150	80	90	-	CCMT120408	C050A12S	T20	US\$177.46

Spare Parts

Model	Cartridge	Screw	Hex wrench	Washer	Screw	Hex wrench	Weight (Kg)
ABS25-TS9025-45	TS9025.CC06	MS04016	S3	DT04	RS03010	S1.5	0.15
ABS32-TS9025-70							0.25
ABS25-TS9030-50	TS9030.CC06	MS04016	S3	DT04	RS03010	S1.5	0.20
ABS32-TS9030-85							0.35
ABS32-TS9037-60	TS9037.CC06	MS04016	S3	DT04	RS03010	S1.5	0.75
ABS40-TS9046-60	TS9046.CC09	MS05016	S4	DT05	RS04012	S2.0	0.55
ABS50-TS9046-120							1.35
ABS40-TS9055-60	TS9055.CC09	MS06025	S5	DT06	RS04012	S2.0	1.00
ABS50-TS9055-135							2.50
ABS50-TS9069-70	TS9069.CC12	MS08030	S6	DT08	RS05016	S2.5	1.20
ABS63-TS9083-80	TS9083.CC12	MS01030	S8	DT10	RS05020	S2.5	1.90
ABS63-TS9099-80	TS9099.CC12	MS01030	S8	DT10	RS05020	S3.0	2.20
ABS80-TS90123-90	TS90123.CC12	MS01030	S8	DT10	RS05020	S3.0	3.60

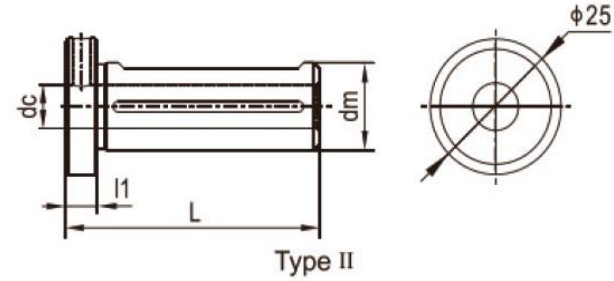
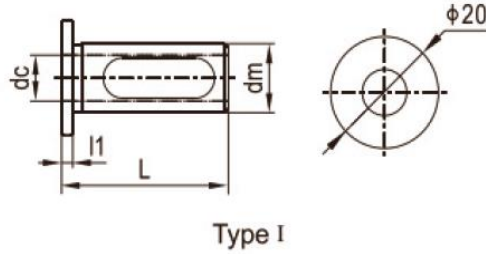
MICRO-ADJUSTABLE BORING HEADS FOR SMALL DIAMETER



Order No.	Model	Shank	Capacity dc(mm)	Slide travel	Size (mm)			Weight (Kg)	Unit Price
					dm	L	d		
276-63-001	ABS40-SBZ-8	ABS40	3-11	2	40	35	8	0.35	US\$232.76
276-63-002	ABS50-SBZ-12	ABS50	3-28	3	50	40	12	0.66	US\$232.76
276-63-003	ABS63-SBZ-16	ABS63	3-50	5	63	60	16	1.53	US\$232.76

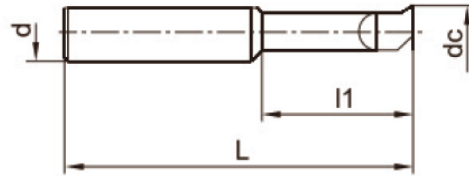
Boring bar not included.

REDUCING SLEEVES



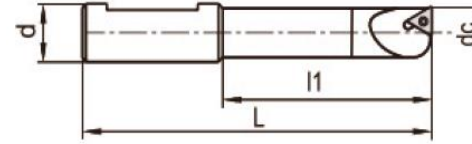
Order No.	Model	Size (mm)				Weight (Kg)	Type	Unit Price
		dc	dm	l1	L			
280-63-001	SBJ-12C8	8	12	2	30	0.05	A	US\$26.07
280-63-002	SBJ-16C8	8	16	6	48	0.06	B	US\$26.07

SOLID CARBIDE BORING BAR



Order No.	Model	Capacity dc(mm)	Size (mm)			Unit Price
			d	l1	L	
471-63-001	YBJ-0803-9	3-5	8	9	38	US\$40.34
471-63-002	YBJ-0805-15	5-7	8	15	43	US\$40.34
471-63-003	YBJ-0807-21	7-9	8	21	49	US\$40.34
471-63-004	YBJ-0809-27	9-11	8	27	54	US\$40.34

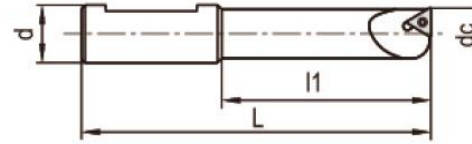
INDEXABLE CARBIDE BORING BAR



Order No.	Model	Capacity dc(mm)	Size (mm)			Insert	Screw	Torx wrench	Weight (Kg)	Unit Price
			d	l1	L					
224-63-001	YSBJ-160840	8-11	16	40	82	TBGT060102L	C020S05J	T6	0.06	US\$93.10
224-63-002	YSBJ-1610-50	10-13	16	50	92	TBGT060102L	C020S05J	T6	0.07	US\$93.10
224-63-003	YSBJ-1612-60	12-17	16	60	102	TPGH090204L	C025A07S	FT7	0.08	US\$93.10
224-63-004	YSBJ-1616-80	16-21	16	80	122	TPGH090204L	C025A07S	FT7	0.12	US\$105.52
224-63-005	YSBJ-1620-100	20-26	16	100	142	TPGH110304L	C030A07S	T9	0.16	US\$105.52

Insert not included.

INDEXABLE STEEL BORING BAR

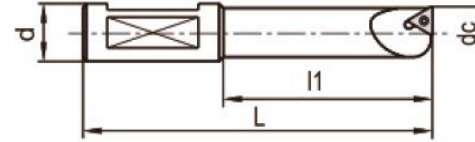


Order No.	Model	Capacity dc(mm)	Size (mm)			Insert	Screw	Torx wrench	Weight (Kg)	Unit Price
			d	l1	L					
221-63-001	SBJ-1208-30	8-10	12	32	60	TBGT060102L	C020S05J	T6	-	US\$29.02
221-63-002	SBJ-1210-40	10-12	12	40	68	TBGT060102L	C020S05J	T6	-	US\$29.02
221-63-003	SBJ-1212-48	12-14	12	48	76	TPGH090204L	C025A07S	FT7	-	US\$29.02
221-63-004	SBJ-1214-56	14-16	12	56	84	TPGH090204L	C025A07S	FT7	-	US\$29.02
221-63-005	SBJ-1216-60	16-18	12	60	88	TPGH090204L	C025A07S	FT7	-	US\$29.02
221-63-006	SBJ-1218-60	18-20	12	60	88	TPGH110304L	C030A07S	T9	-	US\$29.02
221-63-007	SBJ-1220-60	20-24	12	60	88	TPGH110304L	C030A07S	T9	-	US\$29.02
221-63-008	SBJ-1224-60	24-28	12	60	88	TPGH110304L	C030A07S	T9	-	US\$29.02

221-63-009	SBJ-1608-32	8-11	16	32	74	TBGT060102L	C020S05J	T6	0.06	US\$29.02
221-63-010	SBJ-1610-40	10-13	16	40	82	TBGT060102L	C020S05J	T6	0.07	US\$29.02
221-63-011	SBJ-1612-53	12-17	16	53	95	TPGH090204L	C025A07S	FT7	0.08	US\$29.02
221-63-012	SBJ-1616-68	16-21	16	68	110	TPGH090204L	C025A07S	FT7	0.12	US\$29.02
221-63-013	SBJ-1620-83	20-26	16	83	125	TPGH110304L	C030A07S	T9	0.16	US\$29.02
221-63-014	SBJ-1625-90	25-32	16	90	132	TPGH110304L	C030A07S	T9	0.25	US\$29.02
221-63-015	SBJ-1630-90	30-42	16	90	132	TPGH110304L	C030A07S	T9	0.3	US\$29.02
221-63-016	SBJ-1640-90	40-50	16	90	132	TPGH110304L	C030A07S	T9	0.4	US\$29.02

Insert not included.

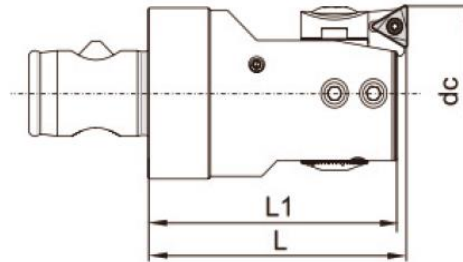
INDEXABLE STEEL STUB BORING BAR



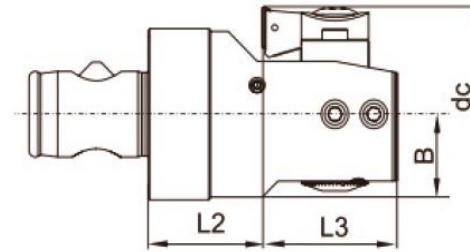
Order No.	Model	Capacity dc(mm)	Size (mm)			Insert	Screw	Torx wrench	Weight (Kg)	Unit Price
			d	l1	L					
221-63-017	SBJ-1608-16	8-11	16	16	58	TBGT060102L	C020S05J	T6	0.06	US\$29.02
221-63-018	SBJ-1610-20	10-13	16	20	62	TBGT060102L	C020S05J	T6	0.07	US\$29.02
221-63-019	SBJ-1612-24	12-17	16	24	66	TPGH090204L	C025A07S	FT7	0.08	US\$29.02
221-63-020	SBJ-1616-32	16-21	16	32	74	TPGH090204L	C025A07S	FT7	0.12	US\$29.02
221-63-021	SBJ-1620-32	20-26	16	32	74	TPGH110304L	C030A07S	T9	0.16	US\$29.02
221-63-022	SBJ-1625-32	25-32	16	32	74	TPGH110304L	C030A07S	T9	0.25	US\$29.02

PRECISION MICRO-ADJUSTABLE BORING HEADS

Adjusting accuracy:0.01mm



Forward boring



back boring

Order No.	Model	Shank	Capacity dc (mm)		Size (mm)					Cartridge	Screw	Weight (Kg)	Unit Price
			Forward boring	Back boring	L	L1	L2	L3	B				
276-65-001	ABS25-FBZ026008-45	ABS25	26-47	36-47	45	43	19	24	12.5	BZ02...	SS03005A	0.2	US\$193.97
276-65-002	ABS32-FBZ033010-50	ABS32	33-60	44-60	50	48	22	26	16	BZ03...	SS04010A	0.3	US\$193.97
276-65-003	ABS40-FBZ042013-60	ABS40	42-74	57-74	60	58	24	34	20	BZ04...	SS05010A	0.6	US\$193.97
276-65-004	ABS50-FBZ053017-60	ABS50	53-95	68-95	60	58	20	38	25	BZ05...	SS06012A	0.9	US\$217.24
276-65-005	ABS63-FBZ068032-80	ABS63	68-152	84-152	80	78	30	48	32.5	BZ06...	SS08012A	2	US\$271.55
276-65-006	ABS80-FBZ098053-90	ABS80	98-203	98-203	90	88	40	48	45	BZ06...	SS08015A	4	US\$299.48

Cartridge and insert not included

CARTRIDGE FOR MICRO-ADJUSTABLE BORING CUTTER

Order No.	Model	Capacity dc (mm)		For boring cutter	Insert	Screw	Torx wrench	Unit Price
		Forward boring	Back boring					
280-65-001	BZ021.TP08	26-34	-	ABS25-FBZ026008-45	TP..0802..L	C020S05J	T6	US\$38.79
280-65-002	BZ022.TP08	33-41	36-41	ABS25-FBZ026008-45				US\$38.79
280-65-003	BZ023.TP08	39-47	42-47	ABS25-FBZ026008-45				US\$38.79
280-65-004	BZ031.TP08	33-43	-	ABS32-FBZ033010-50				US\$38.79
280-65-005	BZ032.TP08	42-52	44-52	ABS32-FBZ033010-50				US\$38.79
280-65-006	BZ033.TP08	50-60	52-60	ABS32-FBZ033010-50				US\$38.79
280-65-007	BZ041.TP11	42-55	-	ABS40-FBZ042013-60				US\$38.79
280-65-008	BZ042.TP11	52-65	57-65	ABS40-FBZ042013-60				US\$38.79
280-65-009	BZ043.TP11	61-74	66-74	ABS40-FBZ042013-60				US\$38.79



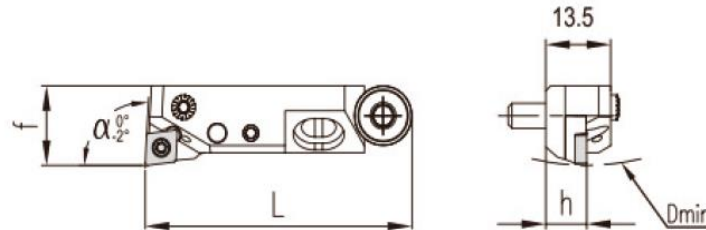
280-65-010	BZ051.TP11	53-70	68-70	ABS50-FBZ053017-60	TP..1103..L	C030A07S	T9	US\$43.45
280-65-011	BZ052.TP11	64-81	70-81	ABS50-FBZ053017-60				US\$43.45
280-65-012	BZ053.TP11	78-95	84-95	ABS50-FBZ053017-60				US\$43.45
280-65-013	BZ061.TP11	68-100	84-100	ABS63-FBZ068032-80				US\$54.31
280-65-014		98-151	98-151	ABS80-FBZ098053-90				US\$54.31
280-65-015	BZ062.TP11	95-127	107-127	ABS63-FBZ068032-80				US\$54.31
280-65-016		125-178	125-178	ABS80-FBZ098053-90				US\$54.31
280-65-017	BZ063.TP11	120-152	132-152	ABS63-FBZ068032-80				US\$54.31
280-65-018		150-203	150-203	ABS80-FBZ098053-90				US\$54.31

280-65-019	BZ021.CC06	26-34	-	ABS25-FBZ026008-45	CC..0602	C025A07S	FT7	US\$38.79
280-65-020	BZ031.CC06	33-43	-	ABS32-FBZ033010-50				US\$38.79
280-65-021	BZ041.TC11	42-55	-	ABS40-FBZ042013-60	TC..1102	C025A07S	FT7	US\$38.79
280-65-022	BZ051.TC11	53-70	68-70	ABS50-FBZ053017-60				US\$43.45
280-65-023	BZ061.TC11	68-100	84-100	ABS63-FBZ068032-80				US\$54.31
280-65-024		98-151	98-151	ABS80-FBZ098053-90				US\$54.31

Insert not included.

PRECISION MICRO-ADJUSTABLE CARTRIDGES

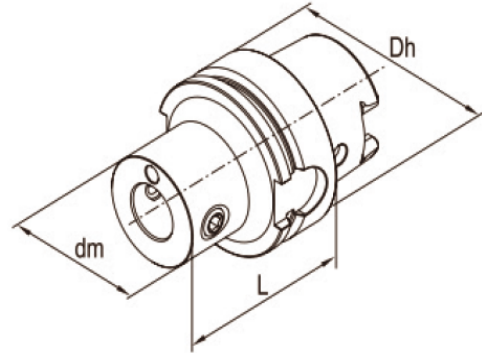
- Adjusting accuracy:0.01mm
- Used on non-standard precision boring cutter for combination holes.



Order No.		Model		Size (mm)					Insert	Unit Price
Right hand	Left hand	Right hand	Left hand	h	f	L	α	Dmin		
280-66-001	280-66-002	SWFCR08CM-03	SWFCL08CM-03	8.5	16	55.5	90°	36	WC..030204	US\$186.21
280-66-003	280-66-004	SCFCR08CM-06	SCFCL08CM-06	8.5	16	55.5	90°	36	CC..060204	US\$186.21
280-66-005	280-66-006	SCFPR08CM-06	SCFPL08CM-06	8.5	16	55.5	90°	36	CP..060204	US\$186.21
280-66-007	280-66-008	STFCR08CM-09	STFCL08CM-09	8.5	16	55.5	90°	36	TC..090204	US\$186.21
280-66-009	280-66-010	STFPR08CM-09	STFPL08CM-09	8.5	16	55.5	90°	36	TP..090204	US\$186.21
280-66-011	280-66-012	STFCR08CM-11	STFCL08CM-11	8.5	20	55.5	90°	44	TC..110204	US\$186.21
280-66-013	280-66-014	STFPR08CM-11	STFPL08CM-11	8.5	20	55.5	90°	44	TP..110204	US\$186.21
280-66-015	280-66-016	SCLCR08CM-06	SCLCL08CM-06	8.5	16	55.5	95°	36	CC..060204	US\$186.21
280-66-017	280-66-018	SCLPR08CM-06	SCLPL08CM-06	8.5	16	55.5	95°	36	CP..060204	US\$186.21
280-66-019	280-66-020	STLCR08CM-09	STLCL08CM-09	8.5	16	55.5	95°	36	TC..090204	US\$186.21
280-66-021	280-66-022	STLPR08CM-09	STLPL08CM-09	8.5	16	55.5	95°	36	TP..090204	US\$186.21
280-66-023	280-66-024	STLCR08CM-11	STLCL08CM-11	8.5	20	55.5	95°	44	TC..110204	US\$186.21
280-66-025	280-66-026	STLPR08CM-11	STLPL08CM-11	8.5	20	55.5	95°	44	TP..110204	US\$186.21
280-66-027	280-66-028	SDQCR08CM-07	SDQCL08CM-07	8.5	16	58.5	120°	36	DC..070204	US\$186.21

DIN69893 HSK TAPER SHANK ABS TOOLHOLDER

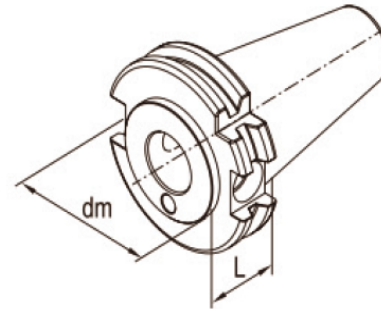
- Used for holding boring cutter with ABS quick shank.



Order No.	Model	SHANK	Size (mm)			Thrust screw	Receiving screw	Unit Price
			Dh	dm	L			
111-11-401	HSK63A-ABS25-50	HSK-A63	63	25	50	21A.25-E1	21A.25-E2	US\$113.28
111-11-402	HSK63A-ABS32-55	HSK-A63	63	32	55	21A.32-E1	21A.32-E2	US\$113.28
111-11-403	HSK63A-ABS40-60	HSK-A63	63	40	60	21A.40-E1	21A.40-E2	US\$113.28
111-11-404	HSK63A-ABS50-70	HSK-A53	63	50	70	21A.50-E1	21A.50-E2	US\$117.93
111-11-405	HSK63A-ABS63-80	HSK-A63	63	63	80	21A.63-E1	21A.63-E2	US\$130.34
111-11-406	HSK63A-ABS80-100	HSK-A63	63	100	100	21A.100-E1	21A.100-E2	US\$144.31
111-11-601	HSK100A-ABS25-60	HSK-A100	100	25	60	21A.25-E1	21A.25-E2	US\$151.29
111-11-602	HSK100A-ABS32-60	HSK-A100	100	32	60	21A.32-E1	21A.32-E2	US\$151.29
111-11-603	HSK100A-ABS40-80	HSK-A100	100	40	80	21A.40-E1	21A.40-E2	US\$151.29
111-11-604	HSK100A-ABS50-80	HSK-A100	100	50	80	21A.50-E1	21A.50-E2	US\$151.29
111-11-605	HSK100A-ABS63-80	HSK-A100	100	63	80	21A.63-E1	21A.63-E2	US\$151.29
111-11-606	HSK100A-ABS80-90	HSK-A100	100	80	90	21A.80-E1	21A.80-E2	US\$162.93
111-11-607	HSK100A-ABS100-100	HSK-A100	100	100	100	21 A.100-E1	21A.100-E2	US\$174.57

DIN69871 SK TAPER SHANK ABS TOOLHOLDER

- Used for holding boring cutter with ABS quick shank.

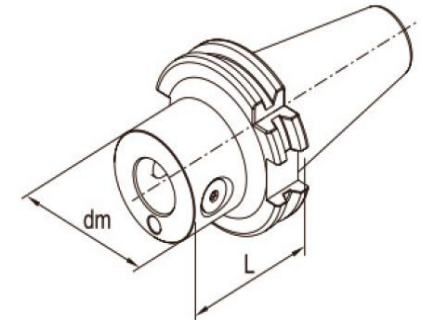


Order No.	Model	SHANK	Size (mm)		Thrust screw	Receiving screw	Unit Price
			dm	L			
132-11-401	JT40-ABS25-20	SK40-AD	25	20	21 A.25-E1	21A.25-E2	US\$44.22
132-11-402	JT40-ABS32-22.5	SK40-AD	32	22.5	21A.32-E1	21A.32-E2	US\$44.22
132-11-403	JT40-ABS40-22.5	SK40-AD	40	22.5	21A.40-E1	21A.40-E2	US\$44.22
132-11-404	JT40-ABS50-45	SK40-AD	50	45	21A.50-E1	21A.50-E2	US\$47.02
132-11-405	JT40-ABS63-65	SK40-AD	63	65	21A.63-E1	21A.63-E2	US\$47.02
132-11-501	JT50-ABS25-20	SK50-AD	25	20	21 A.25-E1	21A.25-E2	US\$58.66
132-11-502	JT50-ABS32-22.5	SK50-AD	32	22.5	21 A.32-E1	21A.32-E2	US\$58.66
132-11-503	JT50-ABS40-22.5	SK50-AD	40	22.5	21A.40-E1	21A.40-E2	US\$58.66
132-11-504	JT50-ABS50-45	SK50-AD	50	45	21A.50-E1	21A.50-E2	US\$58.66
132-11-505	JT50-ABS63-50	SK50-AD	63	50	21A.63-E1	21A.63-E2	US\$62.84
132-11-506	JT50-ABS80-60	SK50-AD	80	60	21A.80-E1	21A.80-E2	US\$65.17
132-11-507	JT50-ABS100-80	SK50-AD	100	80	21A.100-E1	21A.100-E2	US\$68.43

DIN69871 SK TAPER SHANK ABS TOOLHOLDER

- Used for holding boring cutter with ABS quick shank.

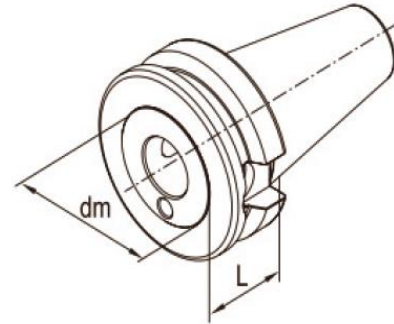
Order No.	Model	SHANK	Size (mm)		Thrust screw	Receiving screw	Unit Price
			dm	L			
132-11-406	JT40-ABS25-50	SK40-AD	25	50	21A.25-E1	21A.25-E2	US\$44.22
132-11-407	JT40-ABS25-75	SK40-AD	25	75	21A.25-E1	21A.25-E2	US\$50.28
132-11-408	JT40-ABS25-95	SK40-AD	25	95	21A.25-E1	21A.25-E2	US\$57.26
132-11-409	JT40-ABS32-50	SK40-AD	32	50	21A.32-E1	21A.32-E2	US\$44.22
132-11-410	JT40-ABS32-75	SK40-AD	32	75	21A.32-E1	21A.32-E2	US\$50.28
132-11-411	JT40-ABS32-100	SK40-AD	32	100	21A.32-E1	21A.32-E2	US\$57.26
132-11-412	JT40-ABS32-135	SK40-AD	32	135	21A.32-E1	21A.32-E2	US\$63.31
132-11-413	JT40-ABS40-50	SK40-AD	40	50	21A.40-E1	21A.40-E2	US\$44.22
132-11-414	JT40-ABS40-80	SK40-AD	40	80	21A.40-E1	21A.40-E2	US\$50.28
132-11-415	JT40-ABS40-110	SK40-AD	40	110	21A.40-E1	21A.40-E2	US\$57.26
132-11-416	JT40-ABS40-150	SK40-AD	40	150	21A.40-E1	21A.40-E2	US\$63.31
132-11-417	JT40-ABS50-50	SK40-AD	50	50	21A.50-E1	21A.50-E2	US\$47.02
132-11-418	JT40-ABS50-80	SK40-AD	50	80	21A.50-E1	21A.50-E2	US\$52.14
132-11-419	JT40-ABS50-115	SK40-AD	50	115	21A.50-E1	21A.50-E2	US\$57.26
132-11-420	JT40-ABS50-150	SK40-AD	50	150	21A.50-E1	21A.50-E2	US\$63.31
132-11-421	JT40-ABS63-90	SK40-AD	63	90	21A.63-E1	21A.63-E2	US\$47.02
132-11-422	JT40-ABS63-135	SK40-AD	63	135	21A.63-E1	21A.63-E2	US\$57.26
132-11-423	JT40-ABS63-175	SK40-AD	63	175	21A.63-E1	21A.63-E2	US\$63.78
132-11-508	JT50-ABS25-60	SK50-AD	25	60	21A.25-E1	21A.25-E2	US\$58.66
132-11-509	JT50-ABS25-90	SK50-AD	25	90	21A.25-E1	21A.25-E2	US\$65.17
132-11-510	JT50-ABS25-105	SK50-AD	25	105	21A.25-E1	21A.25-E2	US\$68.43
132-11-511	JT50-ABS32-60	SK50-AD	32	60	21A.32-E1	21A.32-E2	US\$58.66
132-11-512	JT50-ABS32-90	SK50-AD	32	90	21A.32-E1	21A.32-E2	US\$65.17
132-11-513	JT50-ABS32-110	SK50-AD	32	110	21A.32-E1	21A.32-E2	US\$68.43
132-11-514	JT50-ABS32-135	SK50-AD	32	135	21A.32-E1	21A.32-E2	US\$68.43
132-11-515	JT50-ABS40-60	SK50-AD	40	60	21A.40-E1	21A.40-E2	US\$58.66
132-11-516	JT50-ABS40-90	SK50-AD	40	90	21A.40-E1	21A.40-E2	US\$65.17
132-11-517	JT50-ABS40-120	SK50-AD	40	120	21A.40-E1	21A.40-E2	US\$68.43
132-11-518	JT50-ABS40-150	SK50-AD	40	150	21A.40-E1	21A.40-E2	US\$72.62
132-11-519	JT50-ABS50-60	SK50-AD	50	60	21A.50-E1	21A.50-E2	US\$58.66
132-11-520	JT50-ABS50-90	SK50-AD	50	90	21A.50-E1	21A.50-E2	US\$65.17
132-11-521	JT50-ABS50-125	SK50-AD	50	125	21A.50-E1	21A.50-E2	US\$68.43
132-11-522	JT50-ABS50-165	SK50-AD	50	165	21A.50-E1	21A.50-E2	US\$79.14
132-11-523	JT50-ABS63-60	SK50-AD	63	60	21A.63-E1	21A.63-E2	US\$62.84
132-11-524	JT50-ABS63-105	SK50-AD	63	105	21A.63-E1	21A.63-E2	US\$68.90
132-11-525	JT50-ABS63-145	SK50-AD	63	145	21A.63-E1	21A.63-E2	US\$84.72



132-11-526	JT50-ABS63-175	SK50-AD	63	175	21A.63-E1	21A.63-E2	US\$111.72
132-11-527	JT50-ABS63-225	SK50-AD	63	225	21A.63-E1	21A.63-E2	US\$141.52
132-11-528	JT50-ABS80-70	SK50-AD	80	70	21A.80-E1	21A.80-E2	US\$65.17
132-11-529	JT50-ABS80-125	SK50-AD	80	125	21A.80-E1	21A.80-E2	US\$74.48
132-11-530	JT50-ABS80-155	SK50-AD	80	155	21A.80-E1	21A.80-E2	US\$91.24
132-11-531	JT50-ABS80-200	SK50-AD	80	200	21A.80-E1	21A.80-E2	US\$146.17
132-11-532	JT50-ABS80-250	SK50-AD	80	250	21A.80-E1	21A.80-E2	US\$175.03
132-11-533	JT50-ABS100-115	SK50-AD	100	115	21A.100-E1	21A.100-E2	US\$68.43
132-11-534	JT50-ABS100-155	SK50-AD	100	155	21A.100-E1	21A.100-E2	US\$111.72
132-11-535	JT50-ABS100-200	SK50-AD	100	200	21A.100-E1	21A.100-E2	US\$148.97
132-11-536	JT50-ABS100-250	SK50-AD	100	250	21A.100-E1	21A.100-E2	US\$184.34

JIS B6339 BT TAPER SHANK ABS TOOLHOLDER

- Used for holding boring cutter with ABS quick shank.

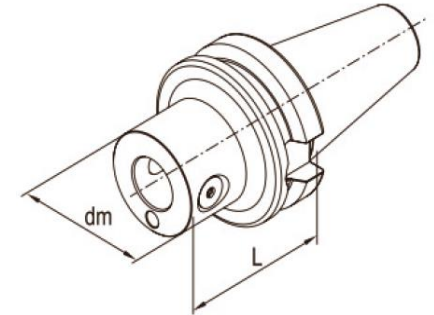


Order No.	Model	SHANK	Size (mm)		Thrust screw	Receiving screw	Unit Price
			dm	L			
122-11-401	BT40-ABS25-27	BT40-AD	25	27	21A.25-E1	21A.25-E2	US\$44.22
122-11-402	BT40-ABS32-27.5	BT40-AD	32	27.5	21A.32-E1	21A.32-E2	US\$44.22
122-11-403	BT40-ABS40-27.5	BT40-AD	40	27.5	21A.40-E1	21A.40-E2	US\$44.22
122-11-404	BT40-ABS50-50-ABS5	BT40-AD	50	50.5	21A.50-E1	21A.50-E2	US\$47.02
122-11-405	BT40-ABS63-55	BT40-AD	63	55	21A.63-E1	21A.63-E2	US\$47.02
122-11-501	BT50-ABS32-38.5	BT50-AD	32	38.5	21A.32-E1	21A.32-E2	US\$58.66
122-11-502	BT50-ABS40-38.5	BT50-AD	40	38.5	21A.40-E1	21A.40-E2	US\$58.66
122-11-503	BT50-ABS50-38.5	BT50-AD	50	38.5	21A.50-E1	21A.50-E2	US\$58.66
122-11-504	BT50-ABS63-38.5	BT50-AD	63	38.5	21A.63-E1	21A.63-E2	US\$62.84
122-11-505	BT50-ABS80-75	BT50-AD	80	75	21A.80-E1	21A.80-E2	US\$65.17
122-11-506	BT50-ABS100-90	BT50-AD	100	90	21A.100-E1	21A.100-E2	US\$68.43

JIS B6339 BT TAPER SHANK ABS TOOLHOLDER

- Used for holding boring cutter with ABS quick shank.

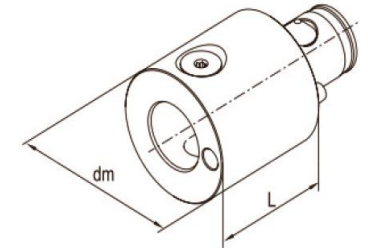
Order No.	Model	SHANK	Size (mm)		Thrust screw	Receiving screw	Unit Price
			dm	L			
122-11-301	BT30-ABS25-40	BT30-AD	25	40	21A.25-E1	21A.25-E2	US\$44.22
122-11-302	BT30-ABS32-50	BT30-AD	32	50	21A.32-E1	21A.32-E2	US\$44.22
122-11-303	BT30-ABS40-50	BT30-AD	40	50	21A.40-E1	21A.40-E2	US\$44.22
122-11-406	BT40-ABS25-58	BT40-AD	25	58	21A.25-E1	21A.25-E2	US\$44.22
122-11-407	BT40-ABS25-75	BT40-AD	25	75	21A.25-E1	21A.25-E2	US\$50.28
122-11-408	BT40-ABS25-100	BT40-AD	25	100	21A.25-E1	21A.25-E2	US\$57.26
122-11-409	BT40-ABS32-58	BT40-AD	32	58	21A.32-E1	21A.32-E2	US\$44.22
122-11-410	BT40-ABS32-85	BT40-AD	32	85	21A.32-E1	21A.32-E2	US\$50.28
122-11-411	BT40-ABS32-110	BT40-AD	32	110	21A.32-E1	21A.32-E2	US\$57.26
122-11-412	BT40-ABS32-145	BT40-AD	32	145	21A.32-E1	21A.32-E2	US\$63.31
122-11-413	BT40-ABS40-58	BT40-AD	40	58	21A.40-E1	21A.40-E2	US\$44.22
122-11-414	BT40-ABS40-90	BT40-AD	40	90	21A.40-E1	21A.40-E2	US\$50.28
122-11-415	BT40-ABS40-120	BT40-AD	40	120	21A.40-E1	21A.40-E2	US\$57.26
122-11-416	BT40-ABS40-150	BT40-AD	40	150	21A.40-E1	21A.40-E2	US\$63.31
122-11-417	BT40-ABS50-58	BT40-AD	50	58	21A.50-E1	21A.50-E2	US\$47.02
122-11-418	BT40-ABS50-95	BT40-AD	50	95	21A.50-E1	21A.50-E2	US\$52.14
122-11-419	BT40-ABS50-125	BT40-AD	50	125	21A.50-E1	21A.50-E2	US\$57.26
122-11-420	BT40-ABS50-165	BT40-AD	50	165	21A.50-E1	21A.50-E2	US\$63.31
122-11-421	BT40-ABS63-70	BT40-AD	63	70	21A.63-E1	21A.63-E2	US\$47.02
122-11-422	BT40-ABS63-98	BT40-AD	63	98	21A.63-E1	21A.63-E2	US\$47.02
122-11-423	BT40-ABS63-135	BT40-AD	63	135	21A.63-E1	21A.63-E2	US\$57.26
122-11-424	BT40-ABS63-180	BT40-AD	63	180	21A.63-E1	21A.63-E2	US\$63.78
122-11-507	BT50-ABS25-79	BT50-AD	25	79	21A.25-E1	21A.25-E2	US\$58.66
122-11-508	BT50-ABS25-100	BT50-AD	25	100	21A.25-E1	21A.25-E2	US\$68.43
122-11-509	BT50-ABS25-125	BT50-AD	25	125	21A.25-E1	21A.25-E2	US\$68.43
122-11-510	BT50-ABS32-79	BT50-AD	32	79	21A.32-E1	21A.32-E2	US\$58.66
122-11-511	BT50-ABS32-105	BT50-AD	32	105	21A.32-E1	21A.32-E2	US\$68.43
122-11-512	BT50-ABS32-130	BT50-AD	32	130	21A.32-E1	21A.32-E2	US\$68.43
122-11-513	BT50-ABS32-165	BT50-AD	32	165	21A.32-E1	21A.32-E2	US\$74.48
122-11-514	BT50-ABS40-79	BT50-AD	40	79	21A.40-E1	21A.40-E2	US\$58.66
122-11-515	BT50-ABS40-105	BT50-AD	40	105	21A.40-E1	21A.40-E2	US\$68.43
122-11-516	BT50-ABS40-140	BT50-AD	40	140	21A.40-E1	21A.40-E2	US\$68.43
122-11-517	BT50-ABS40-175	BT50-AD	40	175	21A.40-E1	21A.40-E2	US\$79.14
122-11-518	BT50-ABS50-79	BT50-AD	50	79	21A.50-E1	21A.50-E2	US\$58.66
122-11-519	BT50-ABS50-110	BT50-AD	50	110	21A.50-E1	21A.50-E2	US\$68.43



122-11-520	BT50-ABS50-145	BT50-AD	50	145	21A.50-E1	21A.50-E2	US\$68.43
122-11-521	BT50-ABS50-180	BT50-AD	50	180	21A.50-E1	21A.50-E2	US\$79.14
122-11-522	BT50-ABS63-79	BT50-AD	63	79	21A.63-E1	21A.63-E2	US\$62.84
122-11-523	BT50-ABS63-125	BT50-AD	63	125	21A.63-E1	21A.63-E2	US\$74.48
122-11-524	BT50-ABS63-165	BT50-AD	63	165	21A.63-E1	21A.63-E2	US\$84.72
122-11-525	BT50-ABS63-200	BT50-AD	63	200	21A.63-E1	21A.63-E2	US\$119.17
122-11-526	BT50-ABS63-250	BT50-AD	63	250	21A.63-E1	21A.63-E2	US\$150.83
122-11-527	BT50-ABS80-89	BT50-AD	80	89	21A.80-E1	21A.80-E2	US\$65.17
122-11-528	BT50-ABS80-135	BT50-AD	80	135	21A.80-E1	21A.80-E2	US\$74.48
122-11-529	BT50-ABS80-150	BT50-AD	80	150	21A.80-E1	21A.80-E2	US\$91.24
122-11-530	BT50-ABS80-175	BT50-AD	80	175	21A.80-E1	21A.80-E2	US\$111.72
122-11-531	BT50-ABS80-210	BT50-AD	80	210	21A.80-E1	21A.80-E2	US\$146.17
122-11-532	BT50-ABS80-265	BT50-AD	80	265	21A.80-E1	21A.80-E2	US\$175.03
122-11-533	BT50-ABS100-134	BT50-AD	100	134	21A.100-E1	21A.100-E2	US\$68.43
122-11-534	BT50-ABS100-165	BT50-AD	100	165	21 A.100-E1	21A.100-E2	US\$111.72
122-11-535	BT50-ABS100-200	BT50-AD	100	200	21A.100-E1	21A.100-E2	US\$148.97
122-11-536	BT50-ABS100-250	BT50-AD	100	250	21 A.100-E1	21A.100-E2	US\$184.34

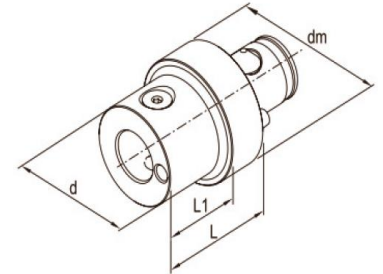
ABS EXTENSION ADAPTER

Order No.	Model	Size (mm)		Thrust screw	Receiving screw	Floating pin	Orientation pin	Unit Price
		dm	L					
141-11-001	ABS25/25-45	25	45	21A.25-E1	21A.25-E2	21A.25-E3	21A.25-E4	US\$29.79
141-11-002	ABS25/25-60	25	60	21A.25-E1	21A.25-E2	21A.25-E3	21A.25-E4	US\$31.66
141-11-003	ABS32/32-50	32	50	21A.32-E1	21A.32-E2	21A.32-E3	21A.32-E4	US\$33.98
141-11-004	ABS32/32-70	32	70	21A.32-E1	21A.32-E2	21A.32-E3	21A.32-E4	US\$34.91
141-11-005	ABS40/40-60	40	60	21A.40-E1	21A.40-E2	21A.40-E3	21A.40-E4	US\$38.17
141-11-006	ABS40/40-90	40	90	21A.40-E1	21A.40-E2	21A.40-E3	21A.40-E4	US\$40.03
141-11-007	ABS50/50-65	50	65	21A.50-E1	21A.50-E2	21A.50-E3	21A.50-E4	US\$41.90
141-11-008	ABS50/50-100	50	100	21A.50-E1	21A.50-E2	21A.50-E3	21A.50-E4	US\$44.22
141-11-009	ABS63/63-85	63	85	21A.63-E1	21A.63-E2	21A.63-E3	21A.63-E4	US\$48.41
141-11-010	ABS63/63-125	63	125	21A.63-E1	21A.63-E2	21A.63-E3	21A.63-E4	US\$50.74
141-11-011	ABS80/80-85	80	85	21A.80-E1	21A.80-E2	21A.80-E3	21A.80-E4	US\$52.14
141-11-012	ABS80/80-125	80	125	21A.80-E1	21A.80-E2	21A.80-E3	21A.80-E4	US\$54.93
141-11-013	ABS100/100-85	100	85	21A.100-E1	21A.80-E2	21A.100-E3	21A.100-E4	US\$66.57
141-11-014	ABS100/100-125	100	125	21A.100-E1	21A.80-E2	21A.100-E3	21A.100-E4	US\$66.57
141-11-015	ABS100/100-160	100	160	21A.100-E1	21A.80-E2	21A.100-E3	21A.100-E4	US\$83.79



ABS REDUCING ADAPTER

Order No.	Model	Size (mm)				Thrust screw	Receiving screw	Floating pin	Orientation pin	Unit Price
		dm	d	L	L1					
142-11-001	ABS32/25-40	32	25	40	28	21A.25-E1	21A.25-E2	21A.32-E3	21A.32-E4	US\$31.19
142-11-002	ABS40/25-40	40	25	40	26	21A.25-E1	21A.25-E2	21A.40-E3	21A.40-E4	US\$34.91
142-11-003	ABS40/32-40	40	32	40	26	21A.32-E1	21A.32-E2	21A.40-E3	21A.40-E4	US\$34.91
142-11-004	ABS50/25-50	50	25	50	34	21A.25-E1	21A.25-E2	21A.50-E3	21A.50-E4	US\$41.90
142-11-005	ABS50/32-50	50	32	50	34	21A.32-E1	21A.32-E2	21A.50-E3	21A.50-E4	US\$41.90
142-11-006	ABS50/40-50	50	40	50	34	21A.40-E1	21A.40-E2	21A.50-E3	21A.50-E4	US\$41.90
142-11-007	ABS63/25-60	63	25	60	40	21A.25-E1	21A.25-E2	21A.63-E3	21A.63-E4	US\$46.09
142-11-008	ABS63/32-60	63	32	60	40	21A.32-E1	21A.32-E2	21A.63-E3	21A.63-E4	US\$46.09
142-11-009	ABS63/40-60	63	40	60	40	21A.40-E1	21A.40-E2	21A.63-E3	21A.63-E4	US\$46.09
142-11-010	ABS63/50-60	63	50	60	40	21A.50-E1	21A.50-E2	21A.63-E3	21A.63-E4	US\$48.41
142-11-011	ABS80/32-60	80	32	60	36	21A.32-E1	21A.32-E2	21A.80-E3	21A.80-E4	US\$51.21
142-11-012	ABS80/40-60	80	40	60	36	21A.40-E1	21A.40-E2	21A.80-E3	21A.80-E4	US\$51.21
142-11-013	ABS80/50-60	80	50	60	36	21A.50-E1	21A.50-E2	21A.80-E3	21A.80-E4	US\$51.21
142-11-014	ABS80/63-60	80	63	60	36	21A.63-E1	21A.63-E2	21A.80-E3	21A.80-E4	US\$52.14
142-11-015	ABS100/40-80	100	40	80	52	21A.40-E1	21A.40-E2	21A.100-E3	21A.100-E4	US\$62.38
142-11-016	ABS100/50-80	100	50	80	52	21A.50-E1	21A.50-E2	21A.100-E3	21A.100-E4	US\$62.38
142-11-017	ABS100/63-80	100	63	80	52	21A.63-E1	21A.63-E2	21A.100-E3	21A.100-E4	US\$62.38
142-11-018	ABS100/80-80	100	80	80	52	21A.80-E1	21A.80-E2	21A.100-E3	21A.100-E4	US\$66.57



SEAL RING

for ABS	dm=25	dm=32	dm=40	dm=50	dm=63	dm=80	dm=100	dm=125
Model	21A.25-E9	21A.32-E9	21A.40-E9	21A.50-E9	21A.63-E9	21A.80-E9	21A.100-E9	21A.125-E9
Order No.	140-00-001	140-00-002	140-00-003	140-00-004	140-00-005	140-00-006	140-00-007	140-00-008